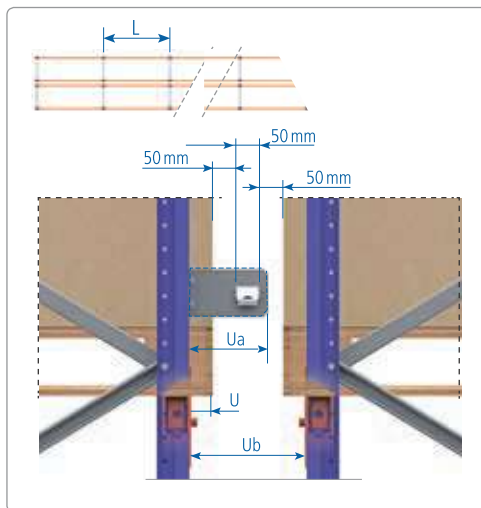
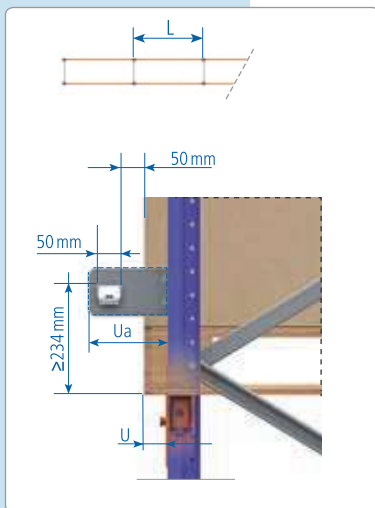


a	b	c	d	e
x2	4x (M10x25 D933)	x4	x1	2x (M8x25 D603)



U	Ua	Ub
0	117	150
25	142	200
50	167	250
75	192	300
100	217	350